

## TRANSDUCERS

LT10U Programmable AC Voltage/ Frequency Transducer

LT10I Programmable AC Current/ Frequency Transducer



### True RMS measurements

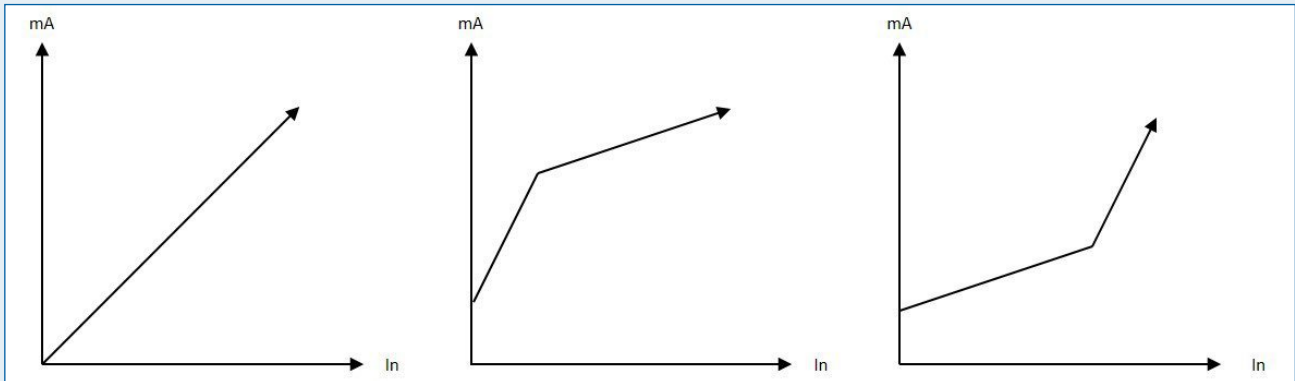
Voltage measurement	Up to 500 VAC, 50/60 Hz and 16 $\frac{2}{3}$ Hz
Current AC measurement	Up to 10 A
Frequency	10 - 120 Hz
Wide auxiliary supply	80 - 250 VAC/24-250 VDC
Class	0.2
Response time	<100 ms
Free software	

## Model LT10U

<b>Model</b>	<b>LT10-U</b>
<b>Measured Quantities</b>	U (Voltage), F (Frequency)
<b>Input</b>	
<b>Voltage</b> Voltage range (Un) Measuring range Configurable measuring range Frequency	<b>P/N: LT10U-110000</b> 50 – 500 V main voltage (nominal) 0,15 – 600 V TRMS 0 – 500 V 10... <u>40</u> ... <u>70</u> ...120 Hz
<b>Voltage</b> Voltage range (Un) Measuring range Configurable measuring range Frequency	<b>P/N: LT10U-110050</b> 12,5 – 125 V main voltage (nominal) 0,003 – 160 V TRMS 0 – 150 V 10... <u>40</u> ... <u>70</u> ...120 Hz
<b>Voltage</b> Voltage range (Un) Measuring range Configurable measuring range Frequency	<b>P/N: LT10U-110053</b> 12,5 – 125 V main voltage (nominal) 0,003 – 160 V TRMS 0 – 150 V 10... <u>15</u> ... <u>18</u> ...120 Hz
<b>Supply voltage</b> Power supply  Burden	24 – 250 VDC 80 – 250 VAC, 50/60 Hz max 6 VA
<b>General data voltage</b>	
Overload voltage  Measuring range F Configurable measuring range Consumption	1,2 x Un – continuously 2 x Un – 10 s 10 – 120 Hz 0 - 120 Hz < 0,5 VA

## Model LT10U

<b>Model</b>	<b>LT10-U</b>
<b>Output</b>	
<b>Analog</b> Analog output Range	1 0-20 mA (programmable) 0...1 mA (class 0.5), 0...5 mA, 0...10 mA, 0...20 mA, 4...20 mA
External resistance load	max 750 ohm (15V)
Response time	< 100 ms
Individual characteristic	5 points

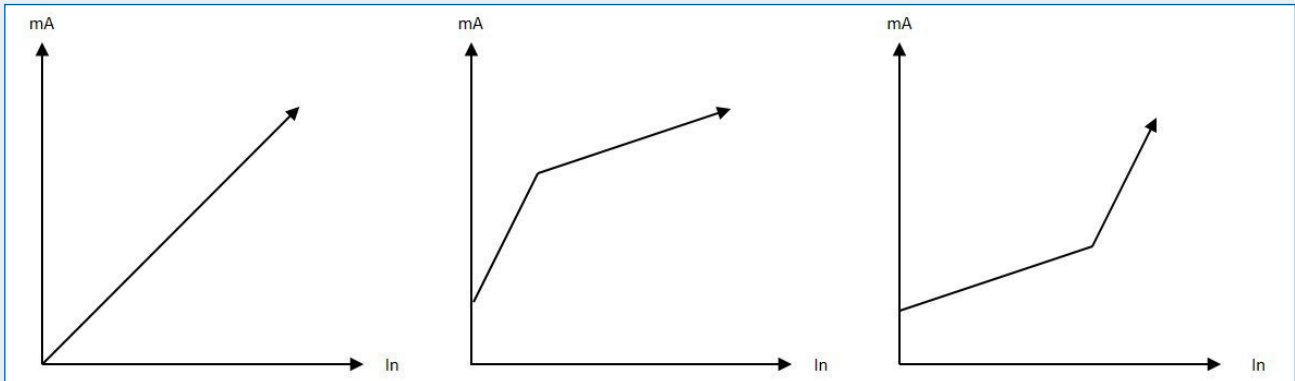


## Model LT10I

<b>Model</b>	<b>LT10-I</b>
<b>Measured Quantities</b>	I (Current), F (Frequency)
<b>Input</b>	
<b>Current</b> Current (In) Measuring range Configurable measuring range Frequency	<b>P/N: LT10I-110000</b> 1 – 5 A 0,005 – 12 A TRMS 0 – 10 A 10...40...70...120 Hz
<b>Current</b> Current (In) Measuring range Configurable measuring range Frequency	<b>P/N: LT10I-110003</b> 1 – 5 A 0,005 – 12 A TRMS 0 – 10 A 10...15...18...120 Hz
<b>General data current</b>	
Overload current  Measuring range F Configurable measuring range Consumption  <b>Supply voltage</b> Power supply  Burden	2 x In continuously 10 x In 15 s 20 x In 1 s 10 – 120 Hz 0 – 120 Hz < 0.05 VA  24 – 250 VDC 80 – 250 VAC, 50/60 Hz max 6 VA

## Model LT10I

<b>Model</b>	<b>LT10-I</b>
<b>Output</b>	
<b>Analog</b>	
Analog output	1
Range	0-20 mA (programmable) 0...1 mA (class 0.5), 0...5 mA, 0...10 mA, 0...20 mA, 4...20 mA
External resistance load	max 750 ohm (15V)
Response time	< 100 ms
Individual characteristic	5 points

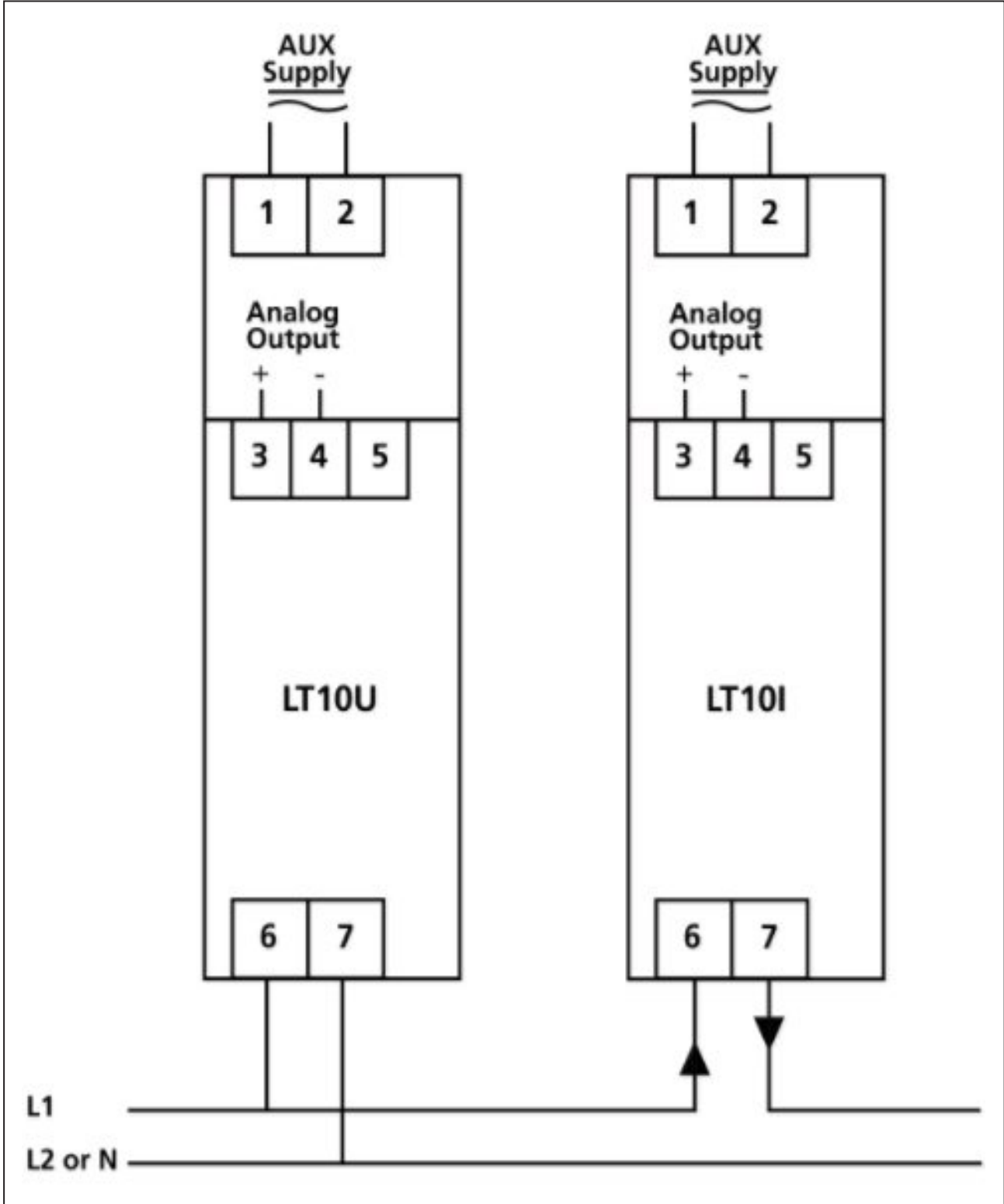


## Model LT10U and LT10I

General data		
Accuracy	0.2	
Galvanic isolation	Supply in- and output are galvanically isolated	
USB	Programming USB port is NOT galvanically isolated from output	
Temperature	-10...+55 °C (operation) -40...+70 °C (storage)	
Temperature coefficient	Less than 0.1% / 10 °C	
Test voltage	5,6kV AC 50 Hz 1 min meas. input 3,7kV AC 50 Hz 1 min aux. power supply	
Installation category	CAT III; 600 V meas. input CAT III; 300 V aux. power supply	
Pollution degree	2	
Dimension (W x H x D)	35 x 109 x 126 mm – DIN-rail	
Standards		
Transducers	Acc. To EN 60688	Electrical measuring transducers for converting A.C. and D.C. electrical quantities to analogue or digital signals.
Safety	Acc. To EN 61010-1	Safety Requirements for Electrical Equipment for Measurement, Control and Laboratory Use.
EMC	Acc. To EN 61000-6-2	Generic standards - Immunity for industrial environments
	Acc. To EN61000-6-3:2007	Generic standards - Emission standard for industrial environments
	Acc. To EN 61000-6-4:2007	Generic standards - Emission standard for industrial environments
	Acc. To EN 61000-6-5	Generic standards - Immunity for equipment used in power station and substation environment
Order code		
	<b>LT10U-110000</b> , 0-500 V 50/60 Hz <b>LT10U-110050</b> , 0-125 V 50/60 Hz <b>LT10U-110053</b> , 0-125 V 16 $\frac{2}{3}$ Hz <b>LT10I-110000</b> , 0-5 A 50/60 Hz <b>LT10I-110003</b> , 0-5 A 16 $\frac{2}{3}$ Hz	LT10U Voltage/Frequency transducer class 0.2 LT10U Voltage/Frequency transducer class 0.2 LT10U Voltage/Frequency transducer class 0.2 LT10I Current/Frequency transducer class 0.2 LT10I Current/Frequency transducer class 0.2

## Model LT10U and LT10I

### Connection diagram



Our policy is one of continuous improvement and we reserve the right to make changes in design and specifications of any products as engineering advances or necessity requires and revise the above specifications without notice.

REVISION HISTORY	
A1	160524
A2	161026
A3	170109
A4	170821
A5	180912