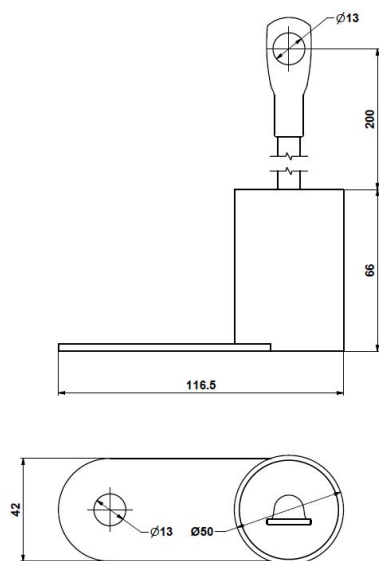


Equipotential bonding of conducting parts of the electrical installation



HGS100 Ex

HGS100 Ex - Separating high power gas discharge tube **HGS100 Ex** for use in explosion hazards areas. It is intended for equipotential bonding of the installation parts of buildings or technological entities which are not interconnected operationally. In case of p.d. (potential difference) origin between those parts, the high power gas discharge tube ignites and interconnects both parts for a transient time (typical value of internal resistance at startup of HGS100 Ex is $0,001 \div 0,002 \Omega$). Recommended installation is inside of the buildings, outdoors, in the damp rooms as well as in the subterraneous areas.

It is an explosion-proof gas discharge tube with flexible connecting cable for equipotential bonding acc. to IEC 61024-1 and also for the use in IT installations acc. to IEC 60364-5-54. It complies with EN 50014 and EN 50028 standards. It is recommended for insulated flanges and insulated screw joints bridging in cathodic protected parts of industrial technology.